



BLACK CAT

WEAR PARTS



RV MINING TEETH & ADAPTERS

Proudly distributed by



Since 1988, G.E.T. Australia has proudly distributed quality wear parts from ISO9001-certified Canadian company, Black Cat Wear Parts.



RS



VT



E



TT



LD



LDH



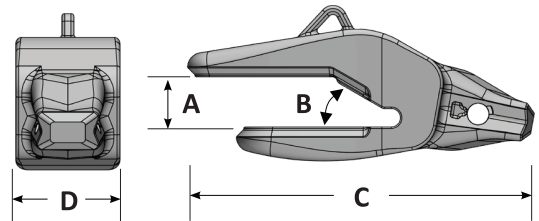
REVOLUTION

Teeth

Series	RS	VT	E	TT	LD	LDH
1000	RVM1000RS 114.0 lb 51.7 kg	RVM1000VT 136.0 lb 61.7 kg	-	RVM1000TT 146.0 lb 66.2 kg	RVM1000LD 207.0 lb 93.9 kg	-
1500	RVM1500RS 157.0 lb 71.2 kg	-	RVM1500E 172.0 lb 78.0 kg	-	RVM1500LD 257.0 lb 116.6 kg	RVM1500LDH 291.0 lb 132.0 kg
2500	RVM2500RS 197.0 lb 89.4 kg	RVM2500VT 202.0 lb 91.6 kg	-	-	-	-
3500	RVM3500RS 256.0 lb 116.1 kg	RVM3500VT 261.0 lb 118.4 kg	-	-	-	-

Adapters

Series	Part Number	Weight	A	B	C	D	Back Shape
1000	RVM1000-350C22	206.0 lb 93.4 kg	3.50" 89 mm	22.5°	25.90" 658 mm	7.75" 197 mm	S
	RVM1000-350C30 (L/R) (SL)	198.0 lb 89.8 kg	3.50" 89 mm	30°	25.90" 658 mm	7.75" 197 mm	R
	RVM1000-400C30 (SL)	204.0 lb 92.5 kg	4.00" 102 mm	30°	25.90" 658 mm	7.75" 197 mm	R
1500	RVM1500-400C22	258.0 lb 117.0 kg	4.00" 102 mm	22.5°	28.40" 721 mm	8.50" 216 mm	S
	RVM1500-400C30 (SL)	251.0 lb 113.9 kg	4.00" 102 mm	30°	28.40" 721 mm	8.50" 216 mm	R
	RVM1500-475C22	294.0 lb 133.4 kg	4.75" 121 mm	22.5°	31.46" 799 mm	8.50" 216 mm	S
	RVM1500-475C30	251.0 lb 113.9 kg	4.75" 121 mm	30°	28.40" 721 mm	8.50" 216 mm	R
2500	RVM2500-475C30 (SL)	325.0 lb 147.4 kg	4.75" 121 mm	30°	30.60" 777 mm	9.25" 235 mm	R
	RVM2500-550C30 (SL) (IC)	317.0 lb 143.8 kg	5.50" 140 mm	30°	30.60" 777 mm	9.25" 235 mm	R
3500	RVM3500-550C30 (SL) (IC)	398.0 lb 180.5 kg	5.50" 140 mm	30°	33.04" 839 mm	10.00" 254 mm	R



Fully Stabilized Nose & Pocket

Hammerless Pin for Safe & Easy Installation

- (L/R) Left and Right Hand Spade Adapters Available
- (SL) Straddle Leg End Adapters Available
- (IC) Integral Corner Adapters Available
- R Round
- S Square



BLACK CAT

WEAR PARTS



RV MINING TEETH & ADAPTERS

Proudly distributed by

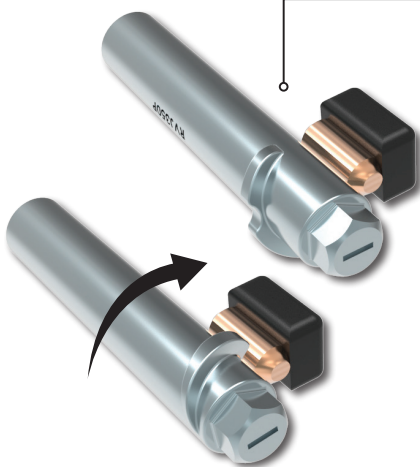
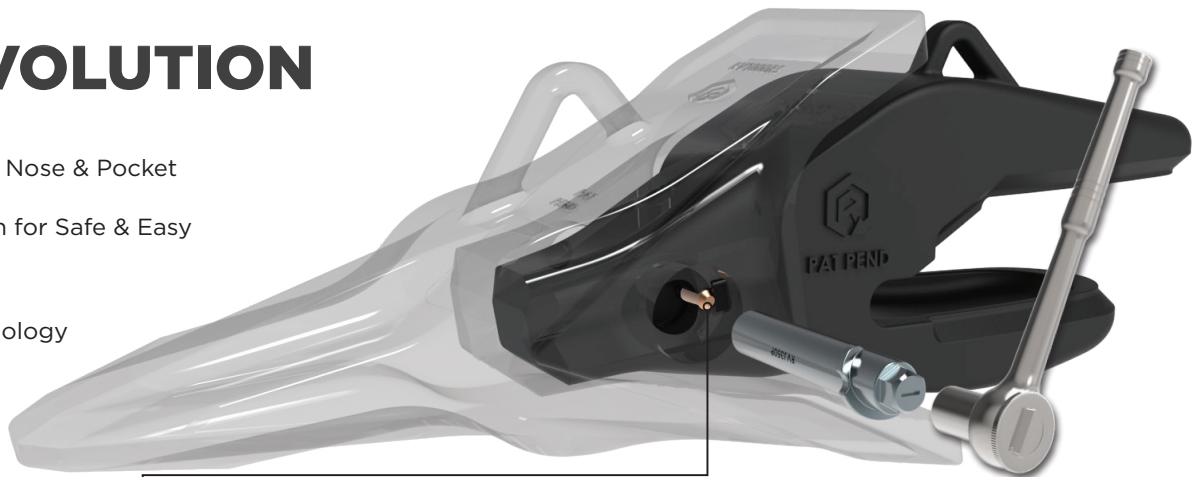


Since 1988, G.E.T. Australia has proudly distributed quality wear parts from ISO9001-certified Canadian company, Black Cat Wear Parts.



REVOLUTION

- Fully Stabilized Nose & Pocket
- Hammerless Pin for Safe & Easy Installation
- Patented Technology



Hammerless Pin & Lock

- Fully hammerless installation & removal for safe and easy use.
- Accept both imperial or metric socket, female square drive on opposite end.
- Lock and pin may be used on either side of nose.
- Locks with 180° clockwise turn of pin with socket wrench.
- Pin removal pulls out excess material around the pin head.

Fully Stabilized Nose & Tooth Pocket

- Primary contact for frontal loads. Bottom out fit with pocket mitigates fit erosion through service life.
- Secondary contact areas for off center frontal loads. Planer bearing areas provide longer service life.
- Redundant frontal load bearing if the primary and secondary areas are worn from tooth overuse.
- Front = Primary bearing area for vertical tooth loads. Rear (opposite side) = Reactive load bearing area for vertical loads.
- V design forces the tooth to center on the nose when heavy side forces are encountered. Preventing pin loading and increases fit integrity.

